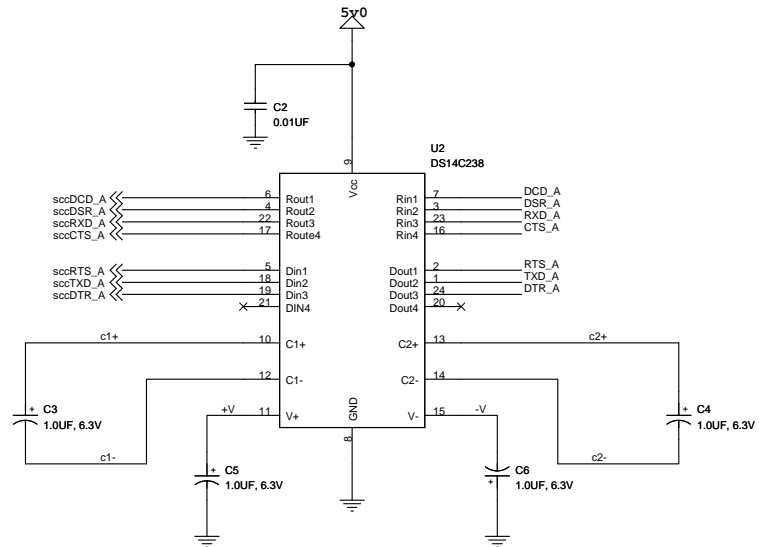
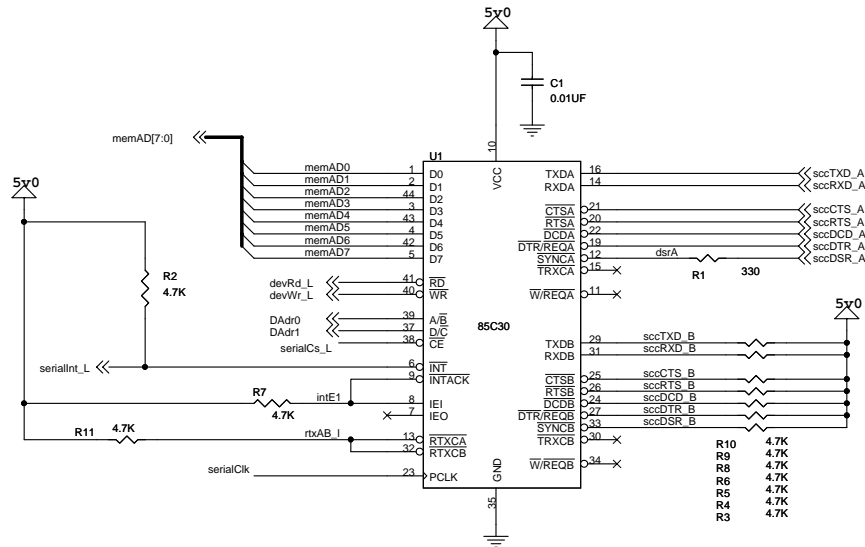
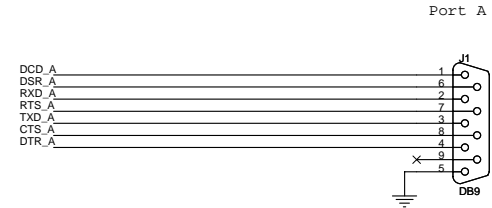
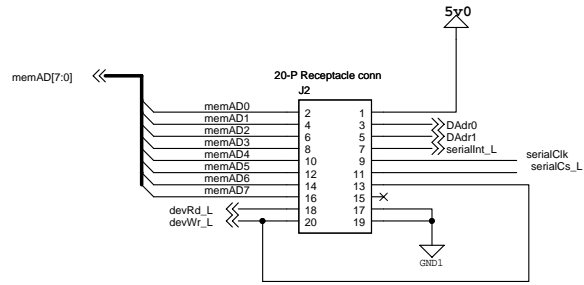


# Serial Interface



THIS DOCUMENT CONTAINS INFORMATION WHICH IS THE PROPRIETARY PROPERTY OF COBALT INC. NO PART OF THIS DOCUMENT MAY BE DISCLOSED TO THE THIRD PARTIES WITHOUT THE PRIOR WRITTEN CONSENT OF COBALT INC.

Title			
Serial Card Single +5V Supply			
Size	Document Number	Rev	
Custom	Doc	0.1	
Date:	Tuesday, November 10, 1998	Sheet	1 of 1